



KAWASAKI 250/450 KXF. HONDA CRF 250/450

SOTTOMOTORE KAWASAKI 250/450 KXF. HONDA CRF 250/450





COD. 5000001990 REV.7

ACERBIS PARTS **O.E.M ITEMS TO USE**



A - (1 pcs.) **B - (2 pcs.)**

ACERBIS PARTS **O.E.M ITEMS TO USE**

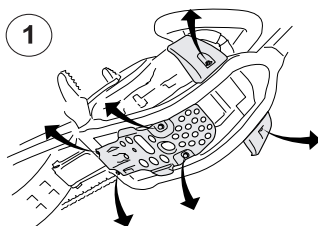
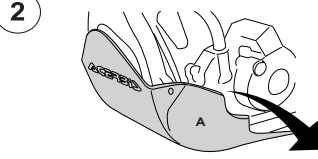
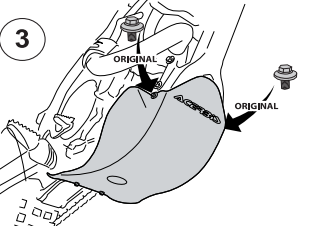
A - (1 pcs.) **B - (2 pcs.)**

ACERBIS PARTS **O.E.M ITEMS TO USE**

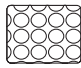



A - (1 pcs.) **B - (2 pcs.)**

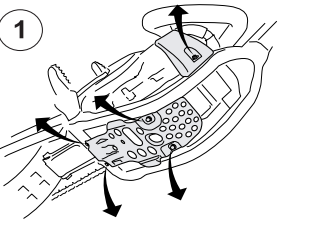
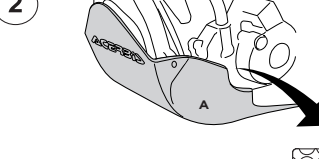
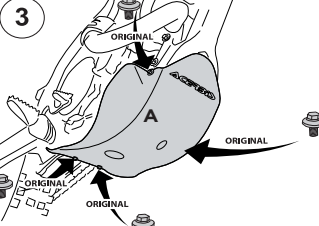
KAWASAKI 250 KXF CODE: 0013519

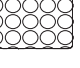
Templated included if you want to drill your own holes for venting
Disegno incluso se si desidera praticare i fori per la ventilazione



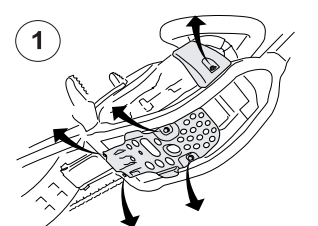
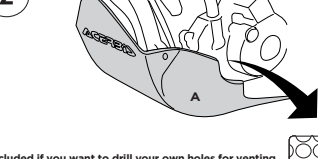
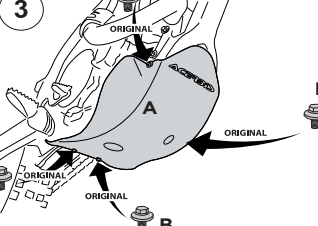
KAWASAKI 450 KXF CODE: 0013539

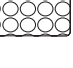
Templated included if you want to drill your own holes for venting
Disegno incluso se si desidera praticare i fori per la ventilazione








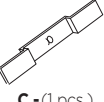
KAWASAKI 450 KXF CODE: 0021932

Templated included if you want to drill your own holes for venting
Disegno incluso se si desidera praticare i fori per la ventilazione




ACERBIS PARTS

G - (1 pcs.) **F - (1 pcs.)** **D - (1 pcs.)** **A - (1 pcs.)** **B - (1 pcs.)** **C - (1 pcs.)**

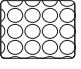
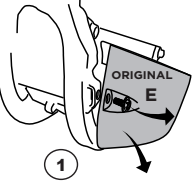
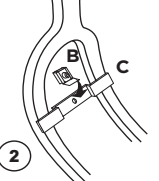
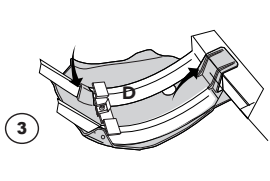
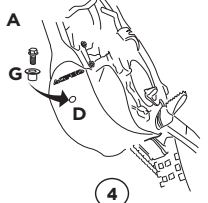
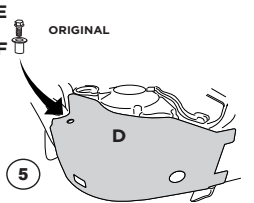
O.E.M ITEMS TO USE:



E - (1 pcs.)

HONDA CRF 250/450 CODE: 0013540/0013922

Templated included if you want to drill your own holes for venting
Disegno incluso se si desidera praticare i fori per la ventilazione

WARNING!

Use at your own risk. Check the security of your device before you ride. Be sure that you follow the instructions installing the Acerbis products. Do not ride if there is missing or damaged hardware. If this is the case, take the item immediately back to your dealer. Make sure the throttle and other controls are free every time you ride. Lack of attention to instruction and warning could lead to interference with the controls, loss of control, and accidents. Acerbis recommends that installation must be done by a licensed mechanic and that only Acerbis original parts are used during fitting. Acerbis makes no guarantees or representations, express or implied, regarding the fitness of its products for any particular purpose. Acerbis makes no guarantees or representations, express or implied, regarding the extent to which its product protect individuals or property from injury or death or damage.